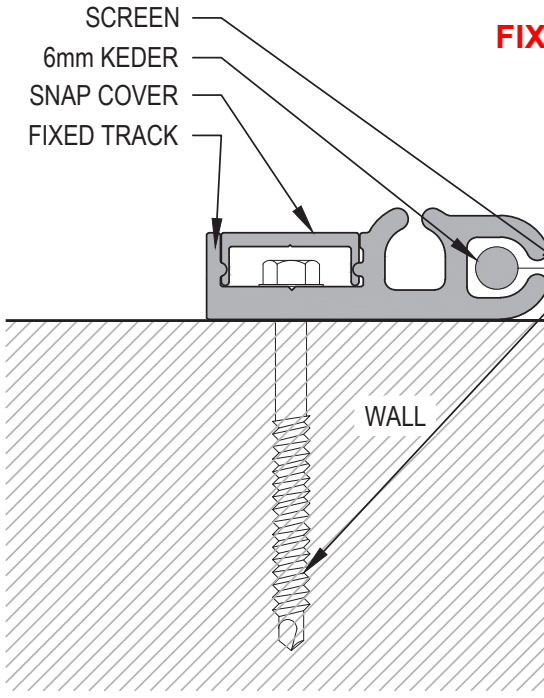
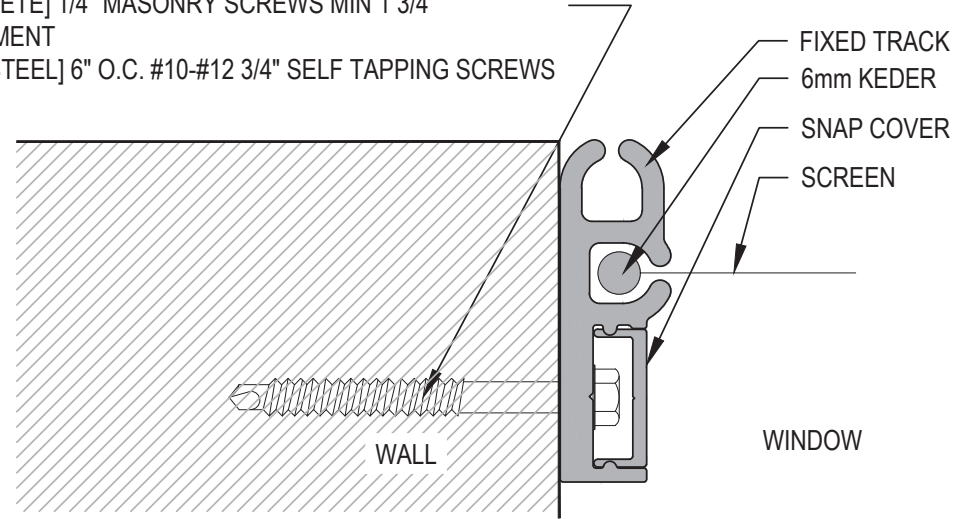


FIXED TRACKS ARE LIMITED TO 250" (OUTSIDE DIMENSION) ON ANY SIDE

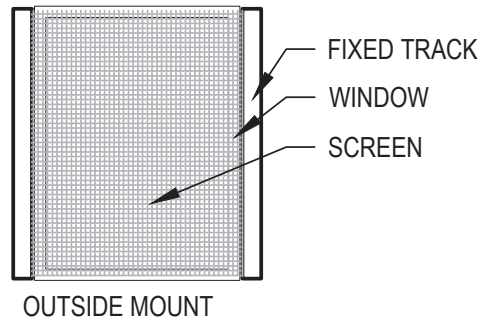
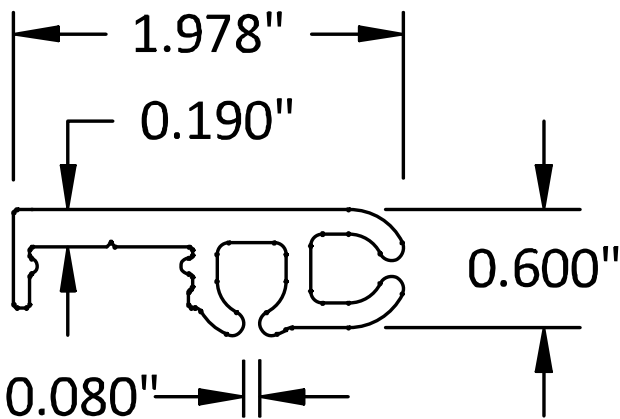


1 SECTION - FACE MOUNT
SCALE: 12" = 1'-0"

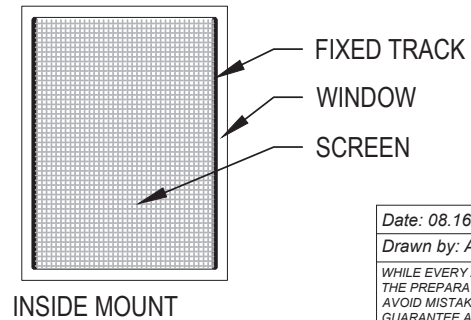
FASTENER ATTACHED @ 12" O.C. INTO JAMB W/
[WOOD] SDS SCREWS MIN 2" EMBEDMENT
[CONCRETE] 1/4" MASONRY SCREWS MIN 1 3/4"
EMBEDMENT
[ALUM/STEEL] 6" O.C. #10-#12 3/4" SELF TAPPING SCREWS



2 SECTION - INSIDE MOUNT
SCALE: 12" = 1'-0"



3 ELEVATIONS
SCALE: NTS



Date: 08.16.23
Drawn by: AGL
WHILE EVERY ATTEMPT HAS BEEN MADE IN THE PREPARATION OF THESE DRAWINGS TO AVOID MISTAKE, THE DESIGNER CANNOT GUARANTEE AGAINST HUMAN ERROR. PRIOR TO THE COMMENCEMENT OF ANY WORK, CONTRACTOR/OWNER MUST VERIFY ALL CONDITIONS AND DIMENSIONS AT JOB SITE. THE CONTRACTOR/OWNER SHALL REPORT ALL DISCREPANCIES BETWEEN DRAWINGS AND EXISTING CONDITIONS TO THE DESIGNER PRIOR TO COMMENCING WORK.